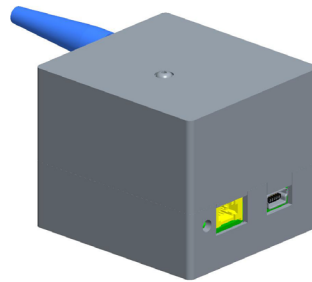
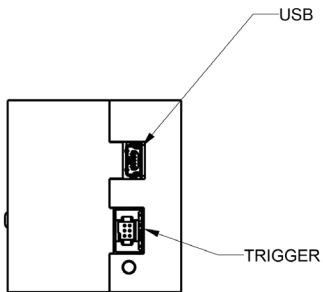
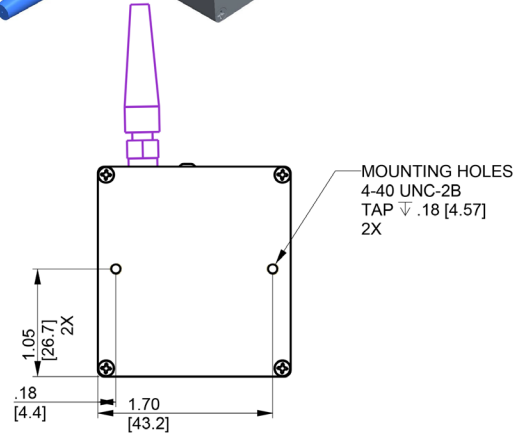
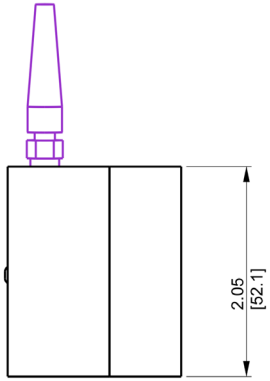
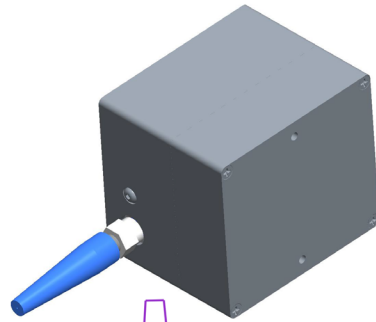
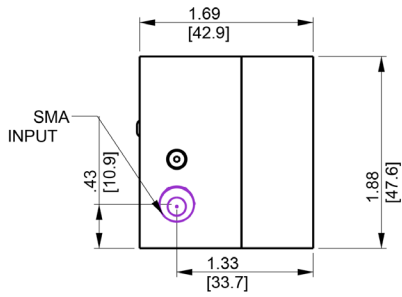


System Mechanical Drawings



ALL UNITS IN INCHES [MM] UNLESS NOTED